

**CREATIVE TEAM**

**Director/Choreographer**

Christopher Acebo

**Scenic Designer**

Efren Delgadillo Jr.

**Lighting Designer**

Lonnie Alcaraz

**Sound Designer**

SD Name

**Costume Designer**

CD Name

**Stage Manager**

SM Name

**Technical Director**

TD Name



**American  
Mariachi**

**Venue**

South Coast Repertory

**SUBMITTALS**

Version	Date	Description
1	03/09/2021	Draft 2 of Part 2
2	03/11/2021	Draft 1 of Part 3
3		
4		
5		

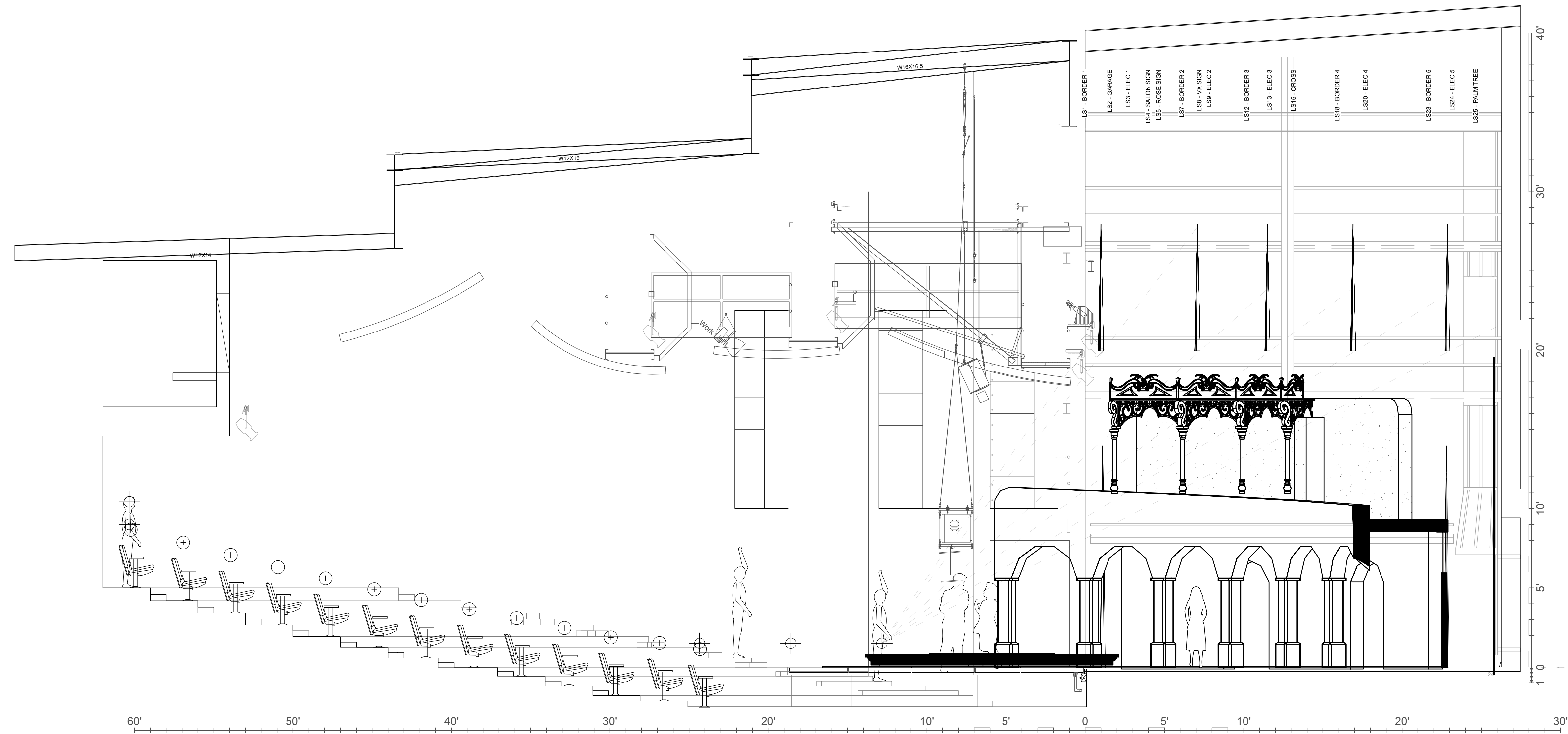
**Groundplan**

Drawn By: DH

Scale: 1/4"=1'0"

Plate **01** of **6**





**CREATIVE TEAM**

**Director/Choreographer**

Christopher Acebo

**Scenic Designer**

Efren Delgadillo Jr.

**Lighting Designer**

Lonnie Alcaraz

**Sound Designer**

SD Name

**Costume Designer**

CD Name

**Stage Manager**

SM Name

**Technical Director**

TD Name



**American Marachi**

**Venue**  
South Coast Repertory

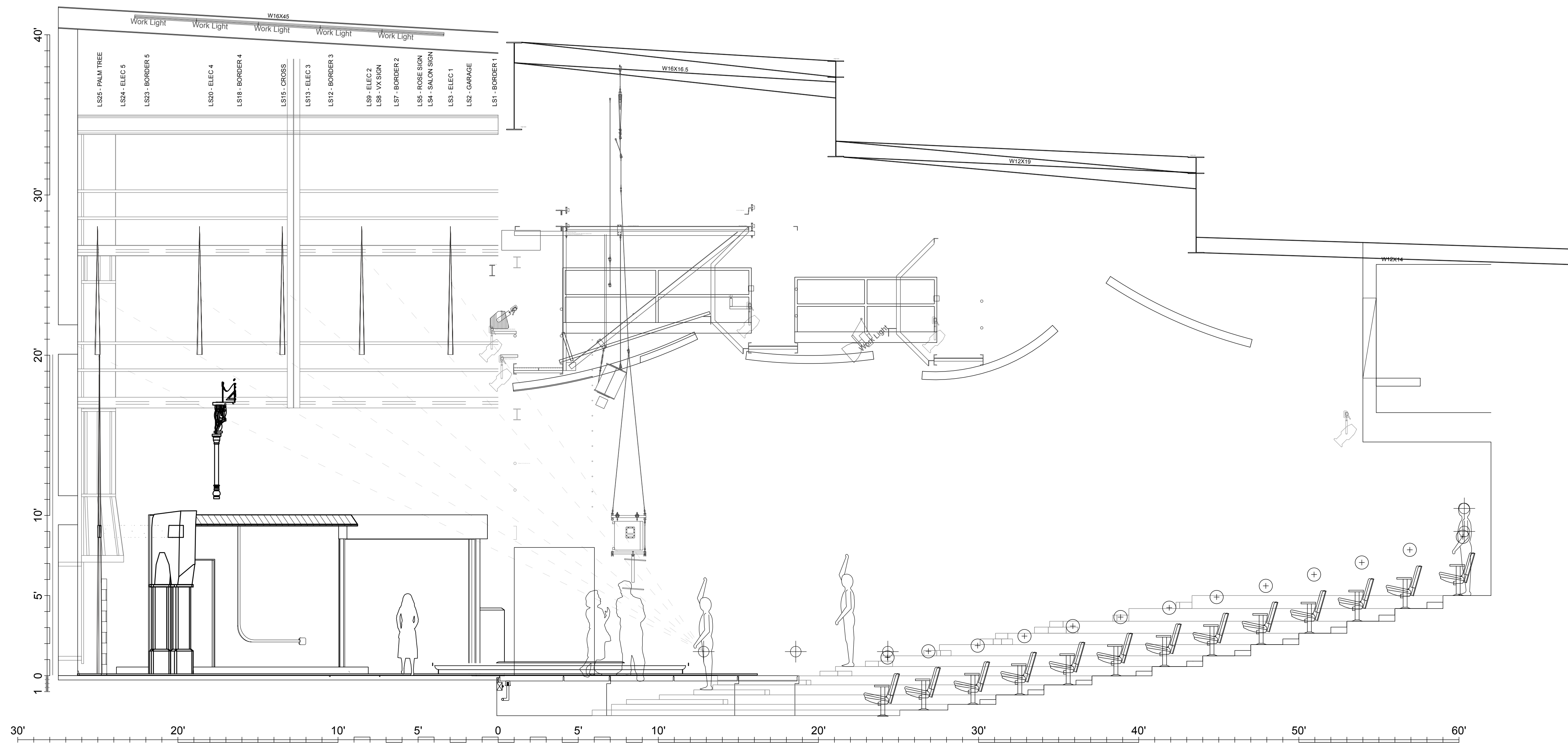
**SUBMITTALS**

Version	Date	Description
1	03/09/2021	Draft 2 of Part 2
2	03/11/2021	Draft 1 of Part 3
3		
4		
5		

**Section View SR**

Drawn By: DH  
Scale: 1/4"=1'0"

Plate **02** of **6**



**CREATIVE TEAM**

**Director/Choreographer**

Christopher Acebo

**Scenic Designer**

Efren Delgadillo Jr.

**Lighting Designer**

Lonnie Alcaraz

**Sound Designer**

SD Name

**Costume Designer**

CD Name

**Stage Manager**

SM Name

**Technical Director**

TD Name



**American  
Marachi**

**Venue**

South Coast Repertory

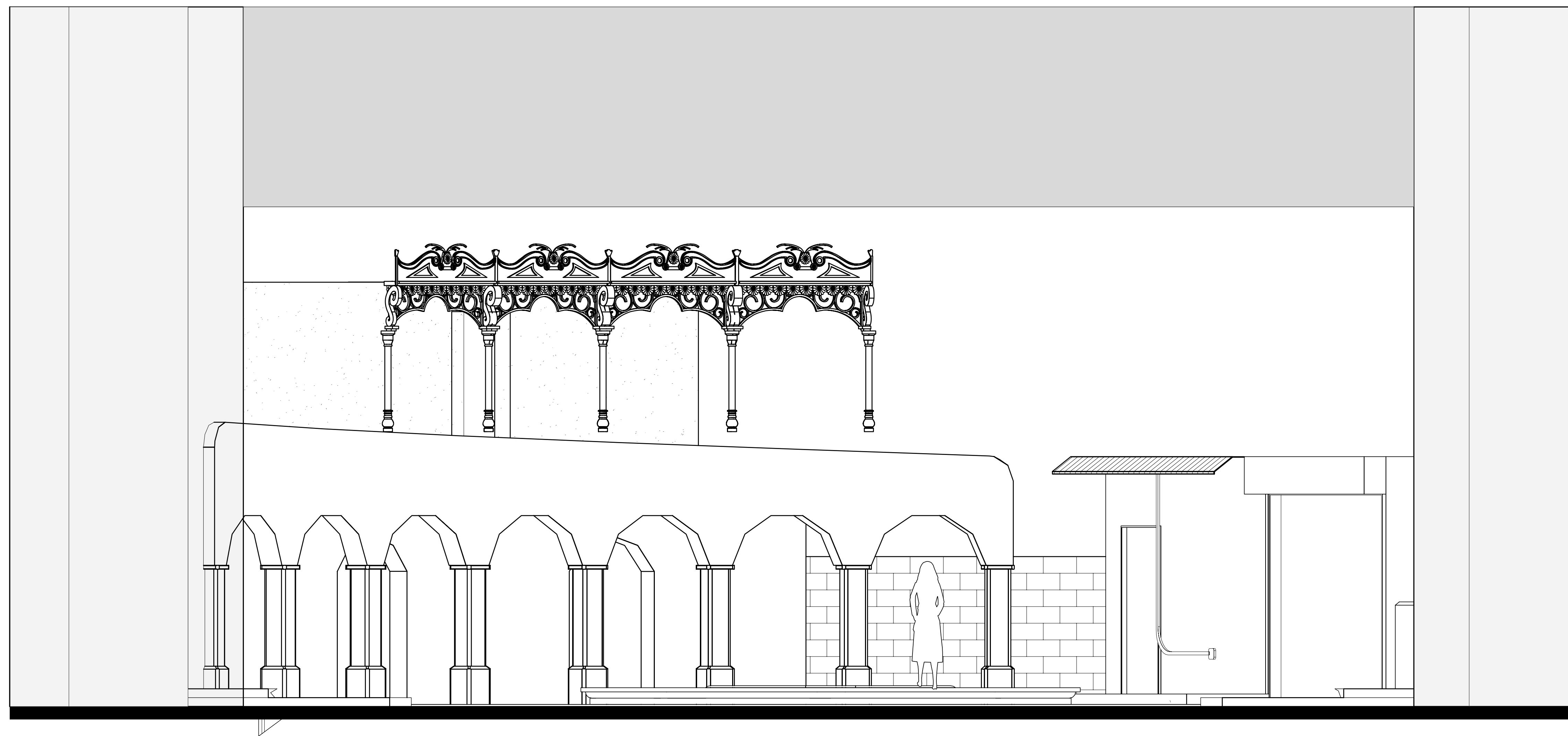
**SUBMITTALS**

Version	Date	Description
1	03/09/2021	Draft 2 of Part 2
2	03/11/2021	Draft 1 of Part 3
3		
4		
5		

**Section View SL**

Drawn By: DH  
Scale: 1/4"=1'0"

Plate **03** of **6**



**CREATIVE TEAM**

**Director/Choreographer**

Christopher Acebo

**Scenic Designer**

Efren Delgadillo Jr.

**Lighting Designer**

Lonnie Alcaraz

**Sound Designer**

SD Name

**Costume Designer**

CD Name

**Stage Manager**

SM Name

**Technical Director**

TD Name



**American  
Mariachi**

**Venue**

South Coast Repertory

**SUBMITTALS**

Version	Date	Description
1	03/09/2021	Draft 2 of Part 2
2	03/11/2021	Draft 1 of Part 3
3		
4		
5		

**Elevation**

Drawn By: DH  
Scale: 3/8"=1'0"

Plate **04** of **6**

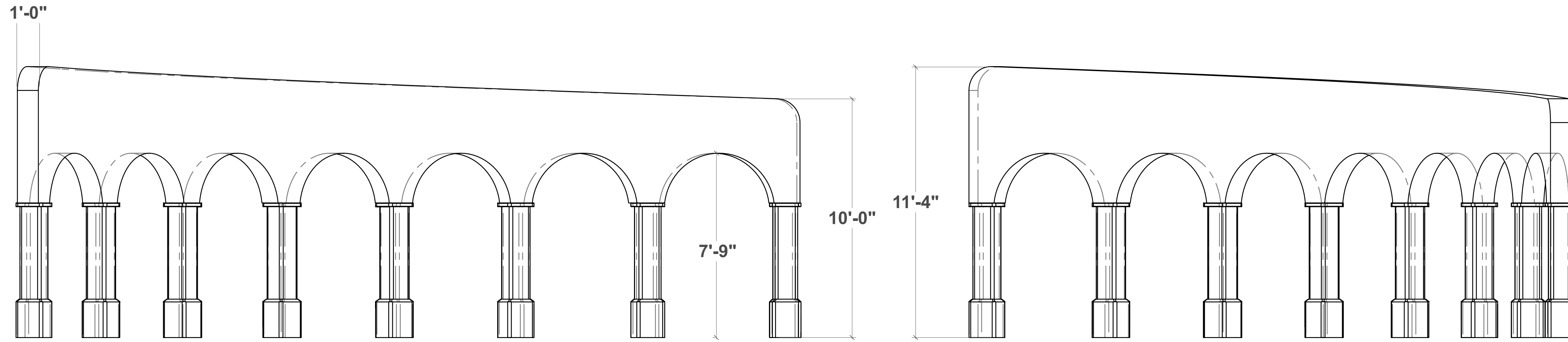


**R E S E A R C H**

**PLASTER TEXTURE**

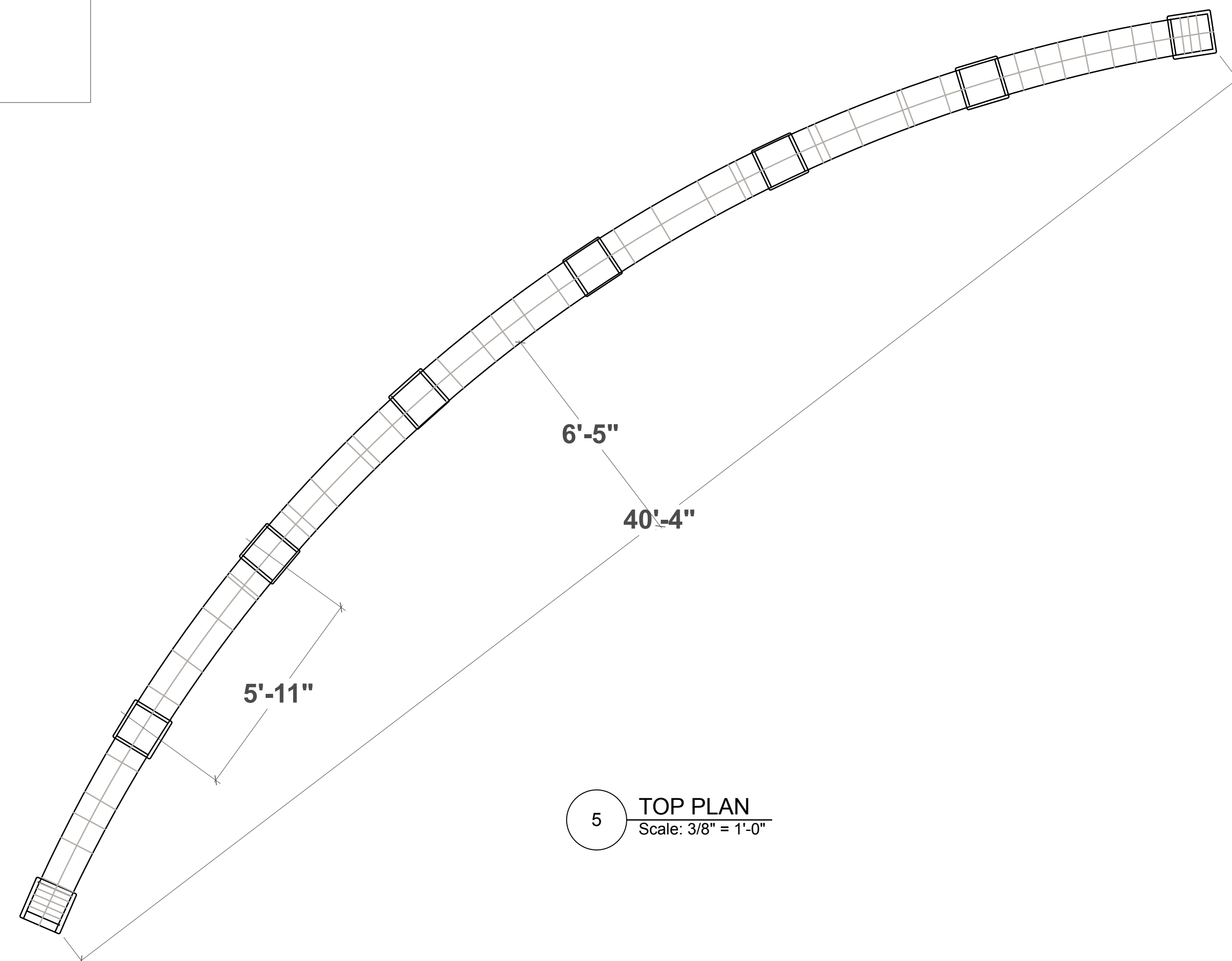


**COLOR**



1 FRONT  
Scale: 3/8" = 1'-0"

2 RIGHT  
Scale: 3/8" = 1'-0"



5 TOP PLAN  
Scale: 3/8" = 1'-0"



3 RENDERED IOS  
Scale: 3/8" = 1'-0"

**CREATIVE TEAM**

**Director/Choerographer**

Christopher Acebo

**Scenic Designer**

Efren Delgadillo Jr.

**Lighting Designer**

Lonnie Alcaraz

**Sound Designer**

SD Name

**Costume Designer**

CD Name

**Stage Manager**

SM Name

**Technical Director**

TD Name



**American Marachi**

**Venue**

South Coast Repertory

**SUBMITTALS**

Version	Date	Description
1	03/09/2021	Draft 2 of Part 2
2	03/11/2021	Draft 1 of Part 3
3		
4		
5		

**Wall Arcade Detail**

Drawn By: DH

Scale: 1/4"=1'0"

Plate 05 of 6

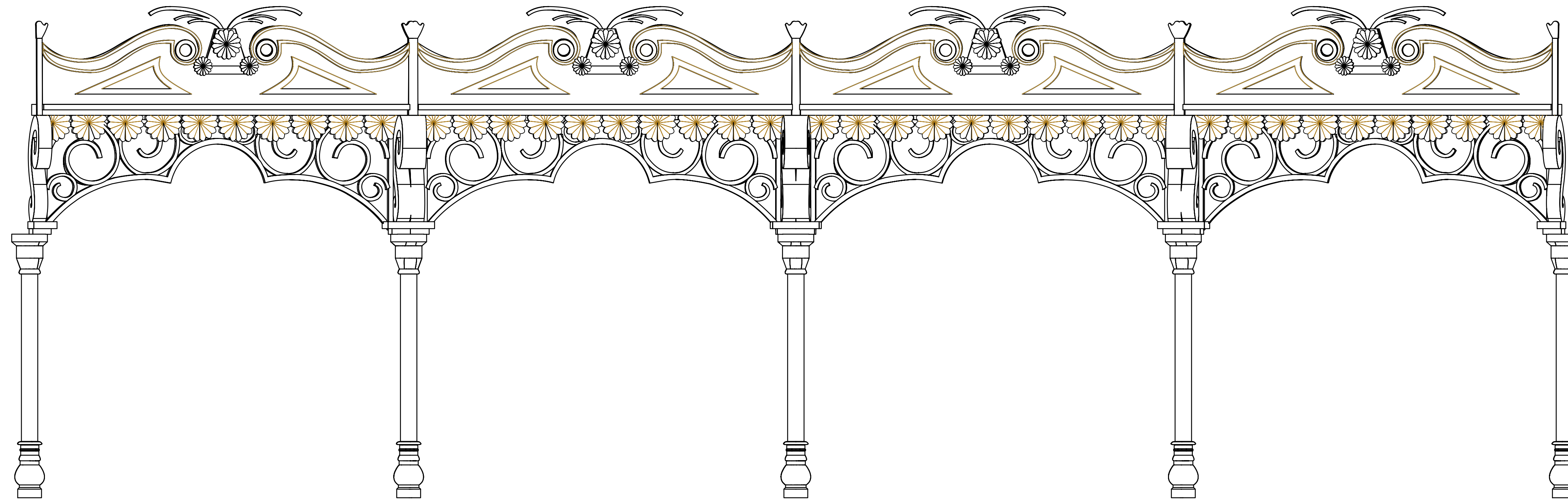


**COLOR TREATMENT**

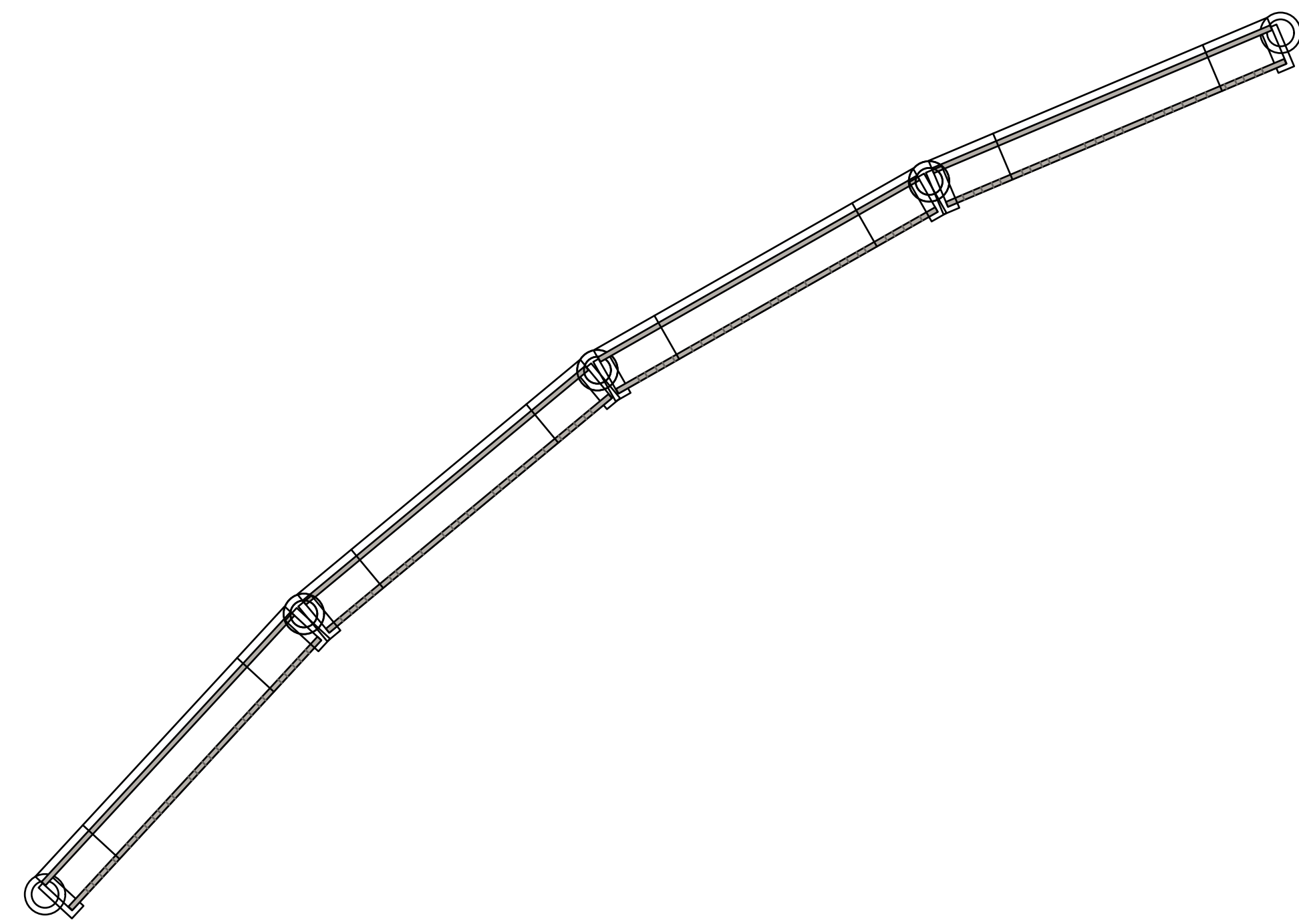
**FULL UNIT**



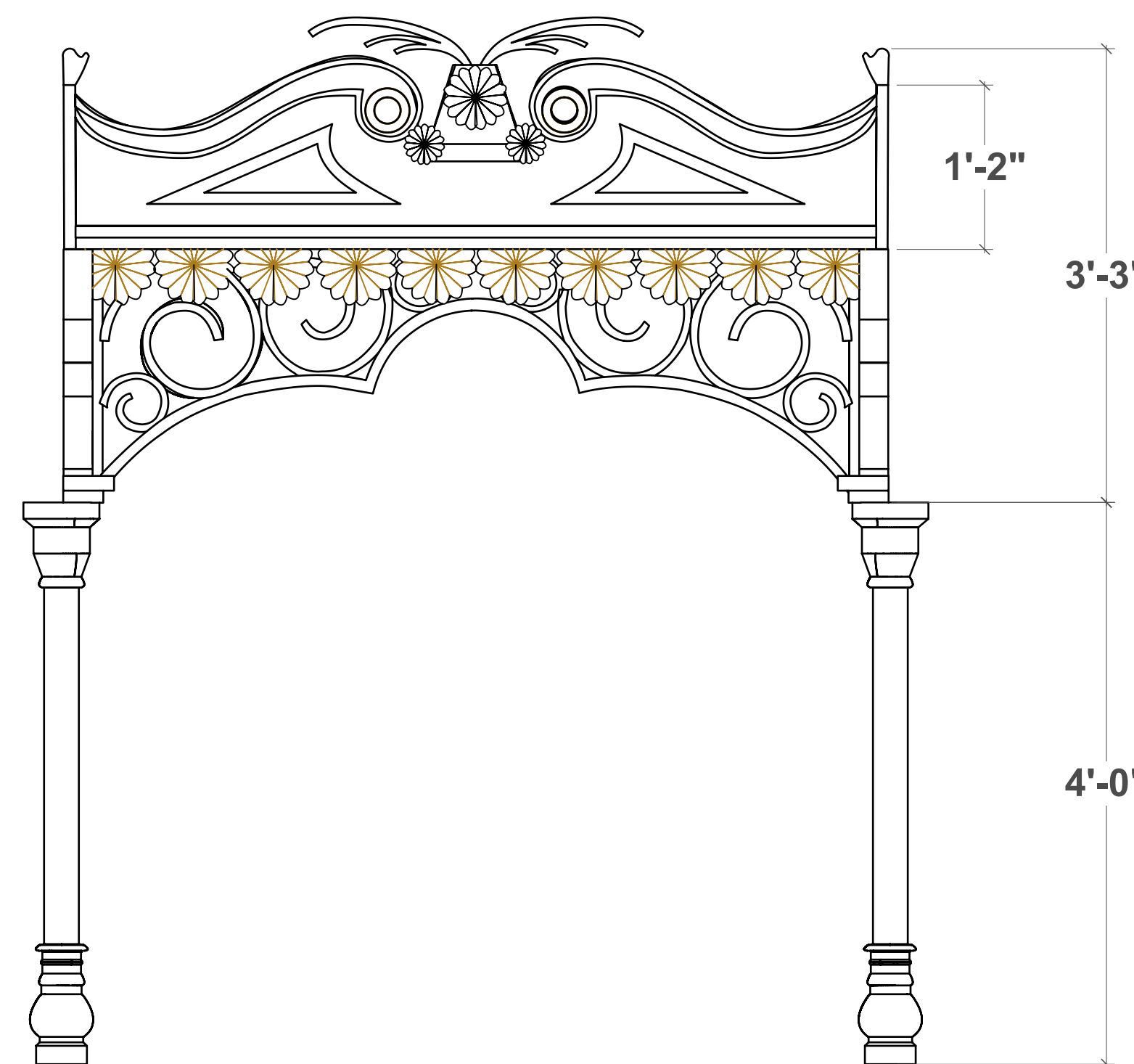
**HIGHLIGHTS**



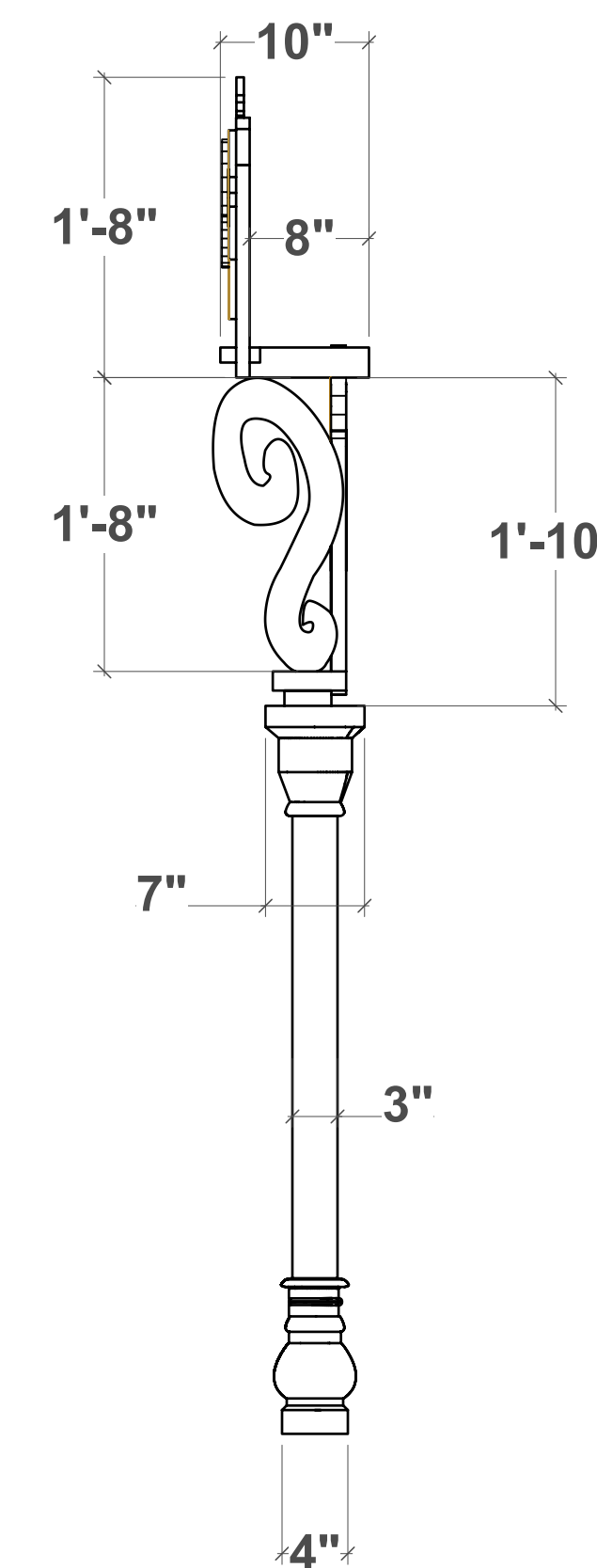
Static unit trim height from bottom of column to deck is 11'0"



1 TOP PLAN  
Scale: 1/2" = 1'-0"



5 FRONT  
Scale: 1" = 1'-0"



2 RIGHT  
Scale: 1" = 1'-0"

**CREATIVE TEAM**

**Director/Choreographer**

Christopher Acebo

**Scenic Designer**

Efren Delgadillo Jr.

**Lighting Designer**

Lonnie Alcaraz

**Sound Designer**

SD Name

**Costume Designer**

CD Name

**Stage Manager**

SM Name

**Technical Director**

TD Name



**American Marachi**

**Venue**

South Coast Repertory

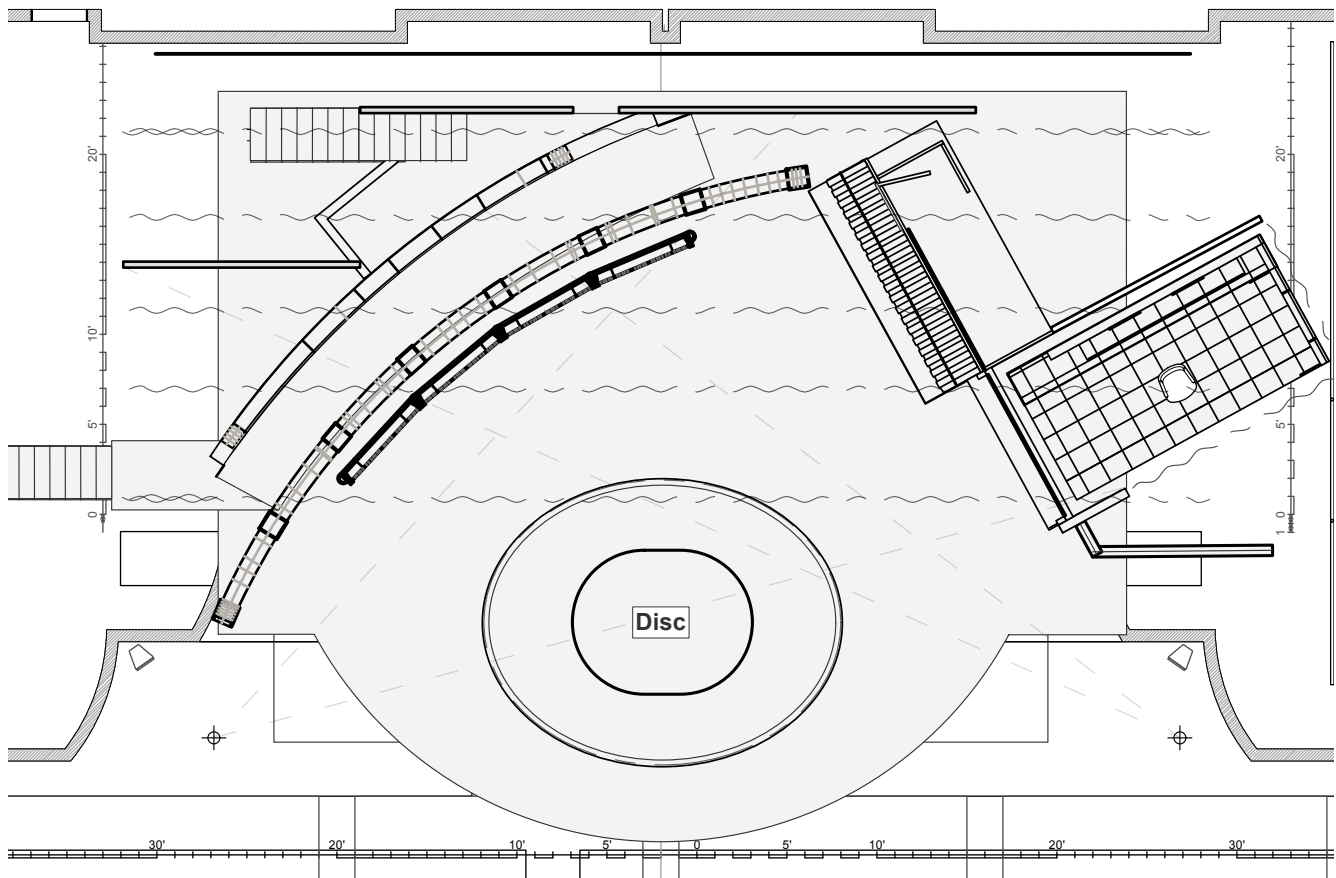
**SUBMITTALS**

Version	Date	Description
1	03/09/2021	Draft 2 of Part 2
2	03/11/2021	Draft 1 of Part 3
3		
4		
5		

**Kiosko Detail**

Drawn By: DH  
Scale: 1"=1'-0"

Plate 06 of 6



1 Scene 1 GP  
Scale: 3/32" = 1'-0"



2 Scene 1 Render  
Scale: 3/32" = 1'-0"

**CREATIVE TEAM**

**Director/Choreographer**  
Christopher Acebo

**Scenic Designer**  
Efrén Delgadillo Jr.

**Lighting Designer**  
Lennie Alcaraz

**Sound Designer**  
SD Name

**Costume Designer**  
CD Name

**Stage Manager**  
SM Name

**Technical Director**  
TD Name



**American Marachi**

**Yanna**  
South Coast Repertory

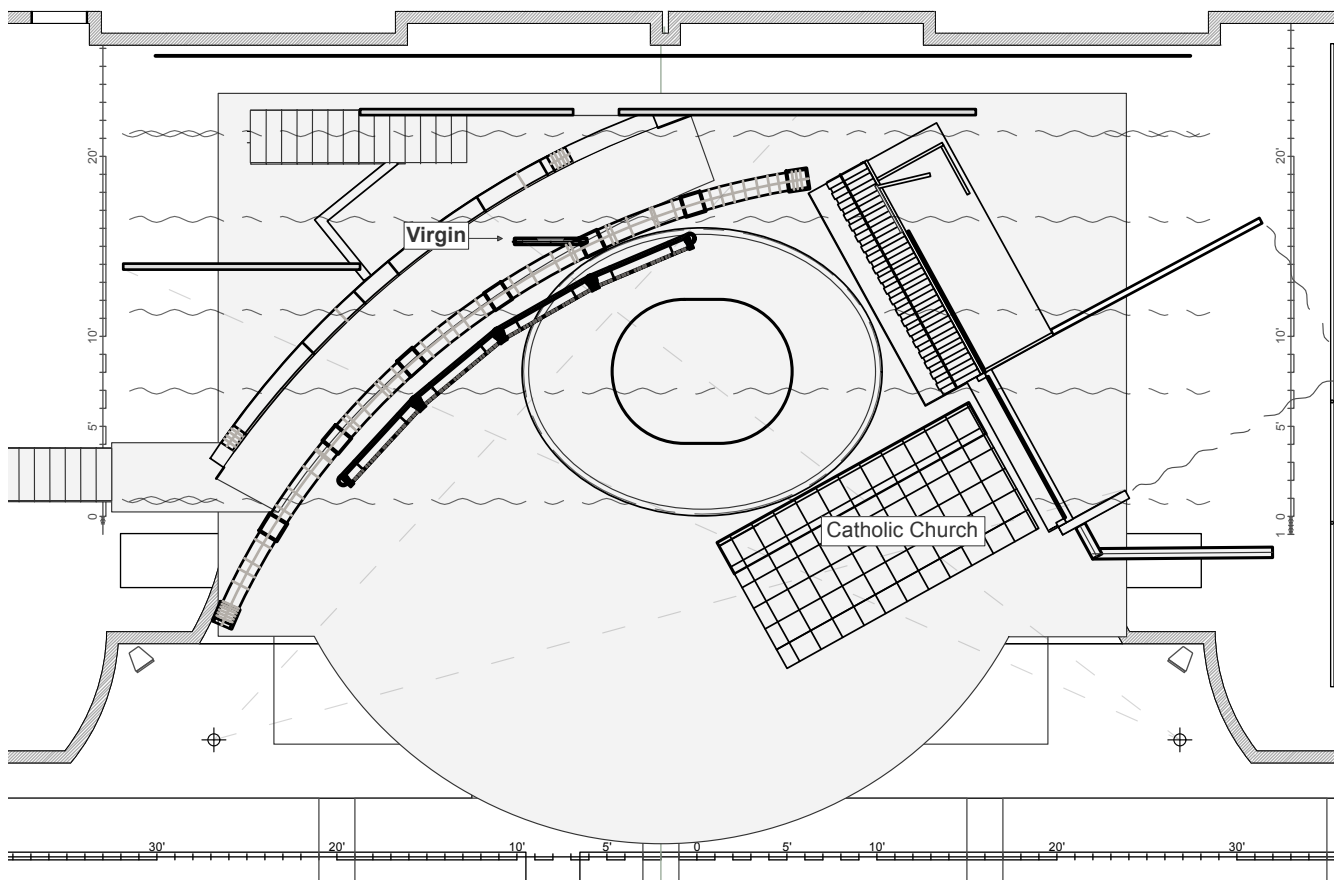
Vendor	Date	Description
1	08/08/2023	Draw 2 of Plot 2
2		
3		
4		
5		

**SCENE 1**

Drawn By: DH  
Scale: 3/32" = 1'-0"

Plot 1 of 0





3 Scene 2 GP  
Scale: 3/32" = 1'-0"



4 Scene 2 Render  
Scale: 3/32" = 1'-0"

**CREATIVE TEAM**

**Director/Choreographer**  
Christopher Acebo

**Scenic Designer**  
Efrén Delgadillo Jr.

**Lighting Designer**

Lonnie Alcaraz

**Sound Designer**

SD Name

**Costume Designer**

CD Name

**Stage Manager**

SM Name

**Technical Director**

TD Name



**American Marachi**

**Yanna**  
South Coast Repertory

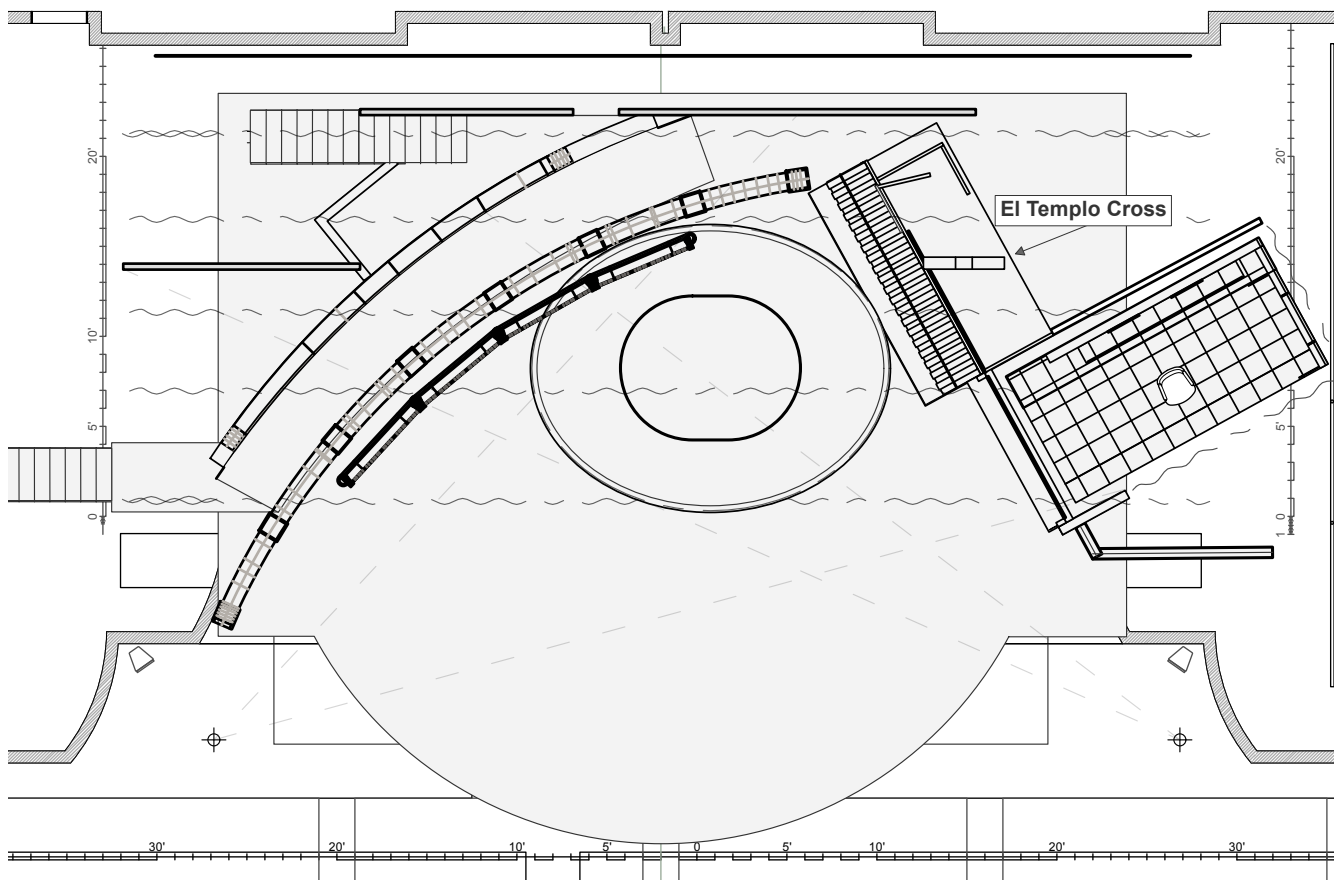
Vendor	Date	Description
1	08/08/2022	Draw 2 of Plot 2
2		
3		
4		
5		

**SCENE 2**

Drawn By: DHI  
Scale: 3/32" = 1'-0"

Plate 2 of 6





5 **Scene 3 GP**  
Scale: 3/32" = 1'-0"



6 **Scene 3 Render**  
Scale: 3/32" = 1'-0"

**CREATIVE TEAM**

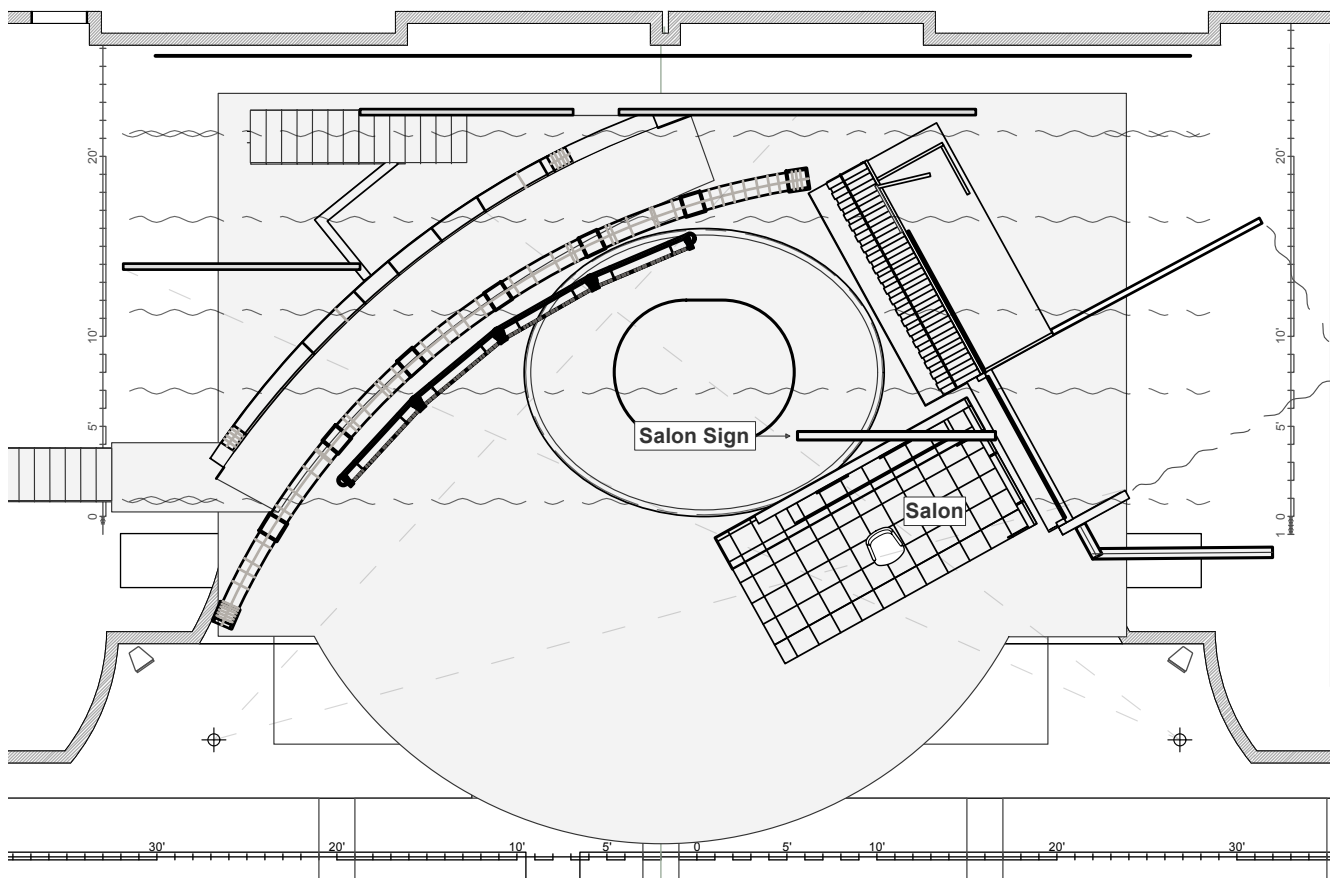
- Director/Choreographer**  
Christopher Acebo
- Scenic Designer**  
Efrén Delgadillo Jr.
- Lighting Designer**  
Lennie Alcaraz
- Sound Designer**  
SD Name
- Costume Designer**  
CD Name
- Stage Manager**  
SM Name
- Technical Director**  
TD Name



**American Marachi**  
**Yanna**  
South Coast Repertory

Vendor	Date	Description
1	08/08/2022	Draw 2 of Plot 2
2		
3		
4		
5		

**SCENE 8**  
Drawn By: DHI  
Scale: 3/32" = 1'-0"  
Plate 3 of 6



7 Scene 4 GP  
Scale: 3/32" = 1'-0"



8 Scene 4 Render  
Scale: 3/32" = 1'-0"

**CREATIVE TEAM**

**Director/Choreographer**  
Christopher Acebo

**Scenic Designer**  
Efen Delgadillo Jr.

**Lighting Designer**  
Lennie Alcaraz

**Sound Designer**  
SD Name

**Costume Designer**  
CD Name

**Stage Manager**  
SM Name

**Technical Director**  
TD Name



**American Marachi**

**Yanna**  
South Coast Repertory

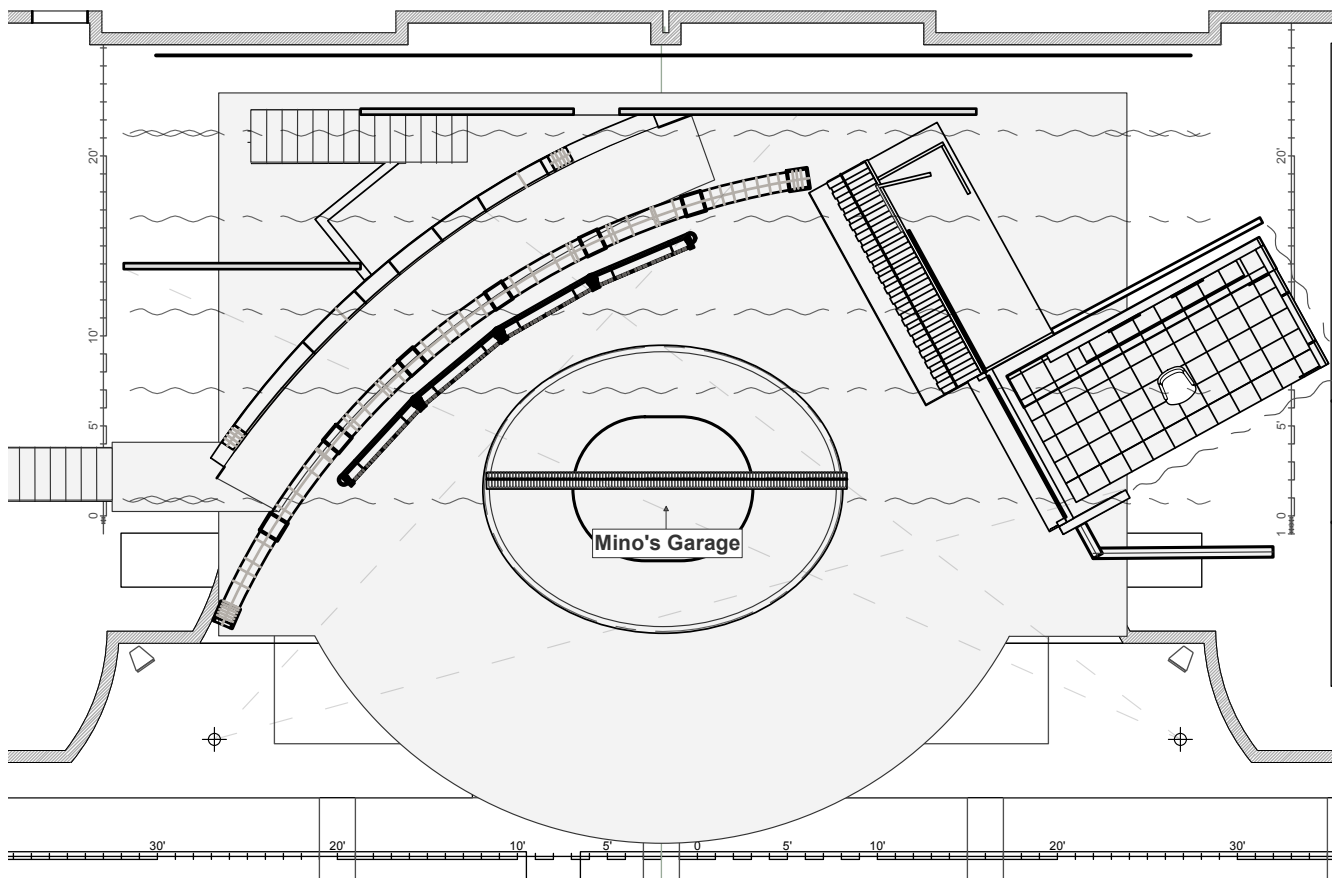
Vendor	Date	Description
1	08/08/2023	Draw 2 of Plot 2
2		
3		
4		
5		

SCENE 4

Drawn By: DHI  
Scale: 3/32" = 1'-0"

Plot 4 of 8





9 **Scene 5 GP**  
Scale: 3/32" = 1'-0"



10 **Scene 5 Render**  
Scale: 3/32" = 1'-0"

**CREATIVE TEAM**

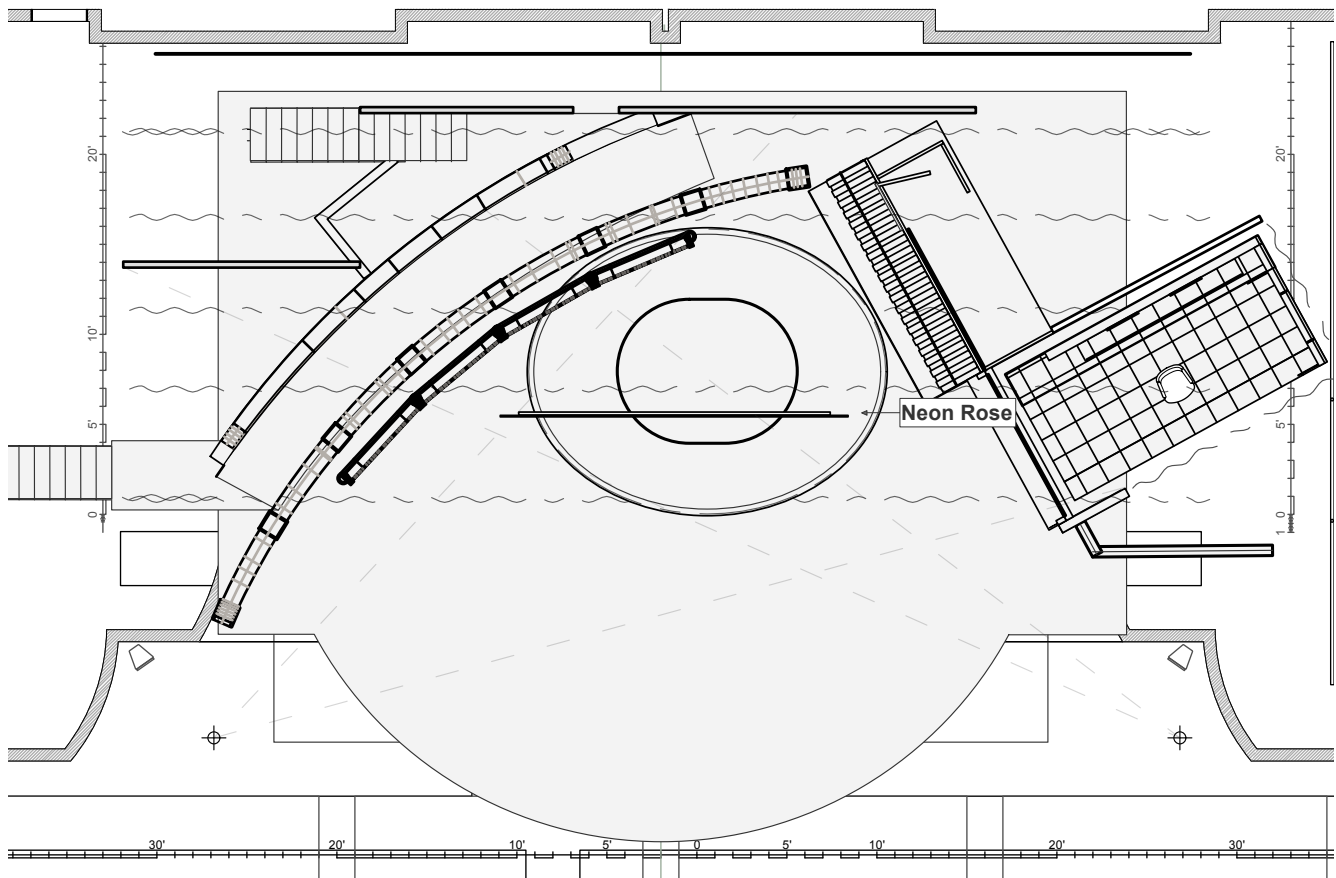
- Director/Choreographer**  
Christopher Acebo
- Scenic Designer**  
Efrén Delgadillo Jr.
- Lighting Designer**  
Lennie Alcaraz
- Sound Designer**  
SD Name
- Costume Designer**  
CD Name
- Stage Manager**  
SM Name
- Technical Director**  
TD Name



**American Marachi**  
**Yanna**  
South Coast Repertory

Vendor	Date	Description
1	08/08/2022	Draw 2 of Plot 2
2		
3		
4		
5		

**SCENE 5**  
Drawn By: DHI  
Scale: 3/32" = 1'-0"  
Plate 5 of 6



11 **Scene 6 GP**  
Scale: 3/32" = 1'-0"



12 **Scene 6 Render**  
Scale: 3/32" = 1'-0"

**CREATIVE TEAM**

- Director/Choreographer**  
Christopher Acebo
- Scenic Designer**  
Efen Delgadillo Jr.
- Lighting Designer**  
Lennie Alcaraz
- Sound Designer**  
SD Name
- Costume Designer**  
CD Name
- Stage Manager**  
SM Name
- Technical Director**  
TD Name



**American Marachi**  
**Yanna**  
South Coast Repertory

Vendor	Date	Description
1	08/08/2023	Draw 2 of Plot 2
2		
3		
4		
5		

**SCENE 6**  
Drawn By: DHI  
Scale: 3/32" = 1'-0"  
Plate **6** of **6**